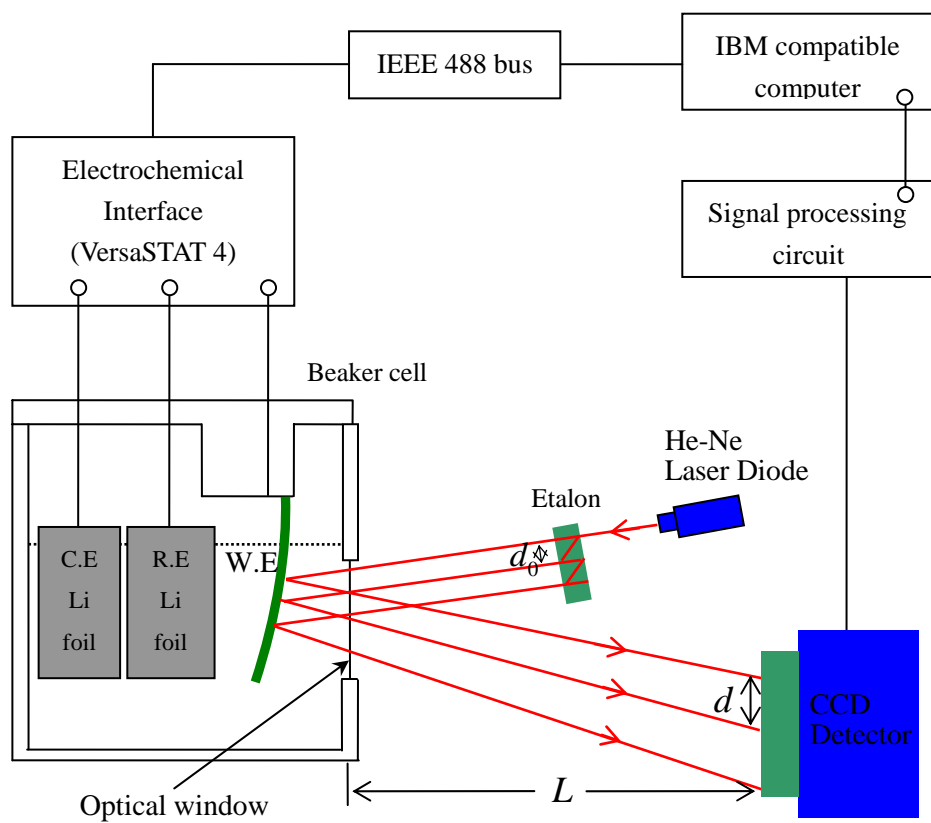


Supplemental figures:



C. E.: counter electrode. R. E.: reference electrode. W. E.: working electrode
Electrolyte: 1LiPF₆ solution

Fig. 1s. A custom electrochemical cell with in-situ multi-beam stress sensor

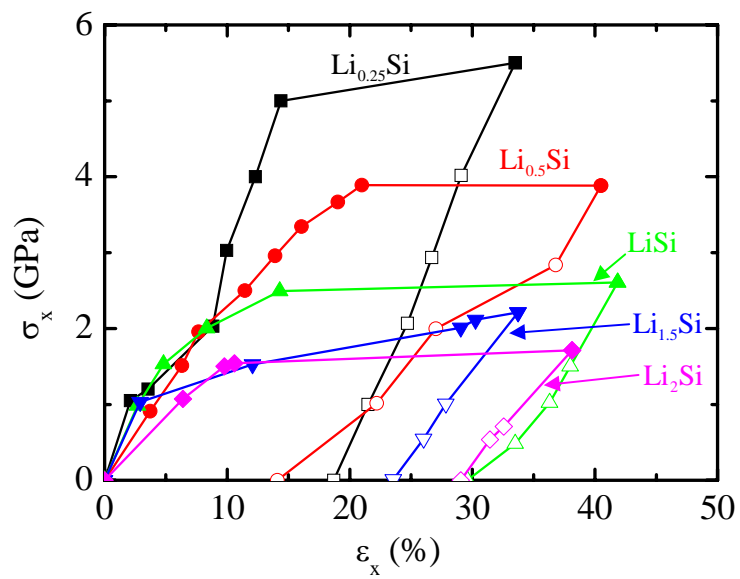


FIG. 2s. Stress-strain responses of lithiated a-Si under uniaxial tension with different Li concentrations.